

## G2150M / G2160M Push Lock

### Features

- For sliding doors
- **G2150M** - Push the cylinder to lock
- **G2160M** - Insert key and push the cylinder to lock
- 24 key changes available
- For metal sheet: **G2150B** and **G2160B**
- Keys can be shared with **G2150M, G2160M, G2150B and G2160B Lock Series**

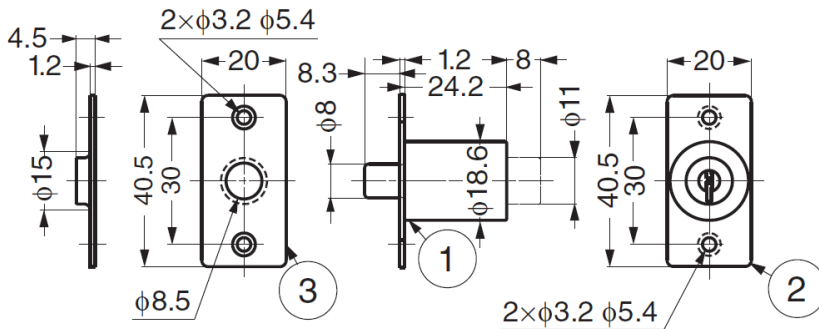
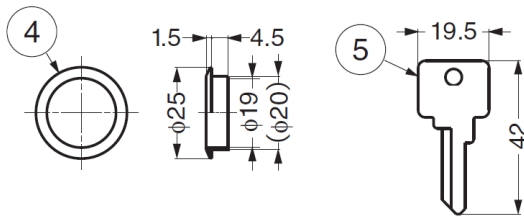
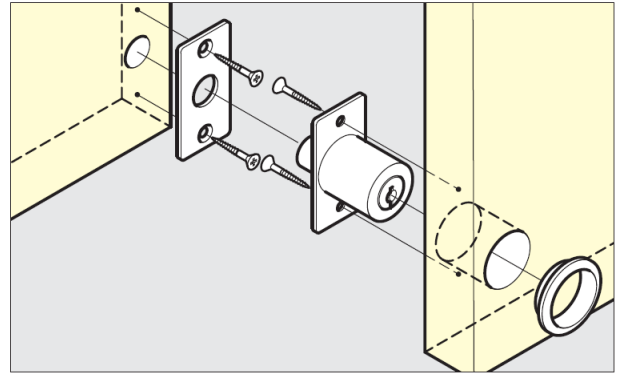
### Parts Included

- Countersunk head wood screw 2.7 × 16



No.	Part Name	Material	Finish
①	Body	Zinc Alloy (ZDC)	Nickel
②	Mounting Plate	Brass	Nickel
③	Strike	Brass	Nickel
④	Ring	Brass	Nickel
⑤	Key	Brass	Nickel

### Installation



Part No.	Key Type	How to Lock	Cylinder Diameter	Door Thickness
<b>G2150M-B</b>	Keyed Differently	Without Key	Ø 18.6	24
<b>G2150M-D</b>	Keyed Alike			
<b>G2160M-B</b>	Keyed Differently	With Key		
<b>G2160M-D</b>	Keyed Alike			